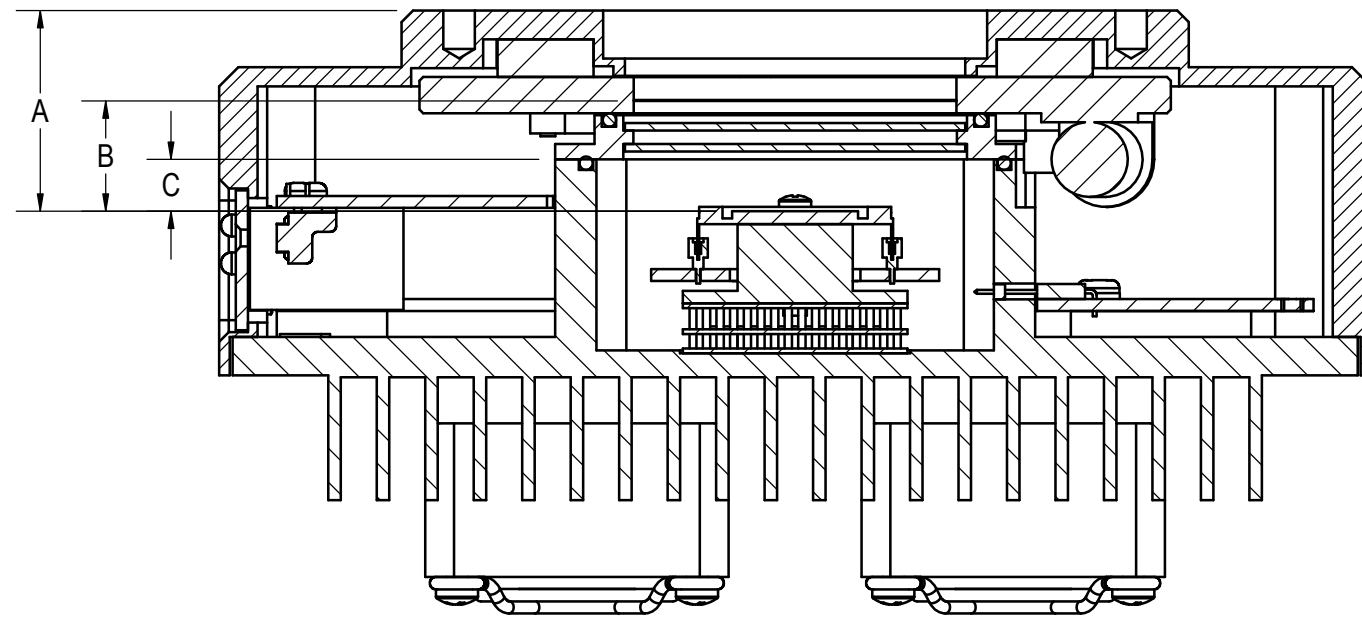


THE INFORMATION CONTAINED IN THIS DRAWING IS THE SOLE PROPERTY TO APOGEE INSTRUMENTS INC. ANY REPRODUCTION IN PART OR AS A WHOLE, WITHOUT THE WRITTEN PERMISSION OF APOGEE INSTRUMENTS IS PROHIBITED.

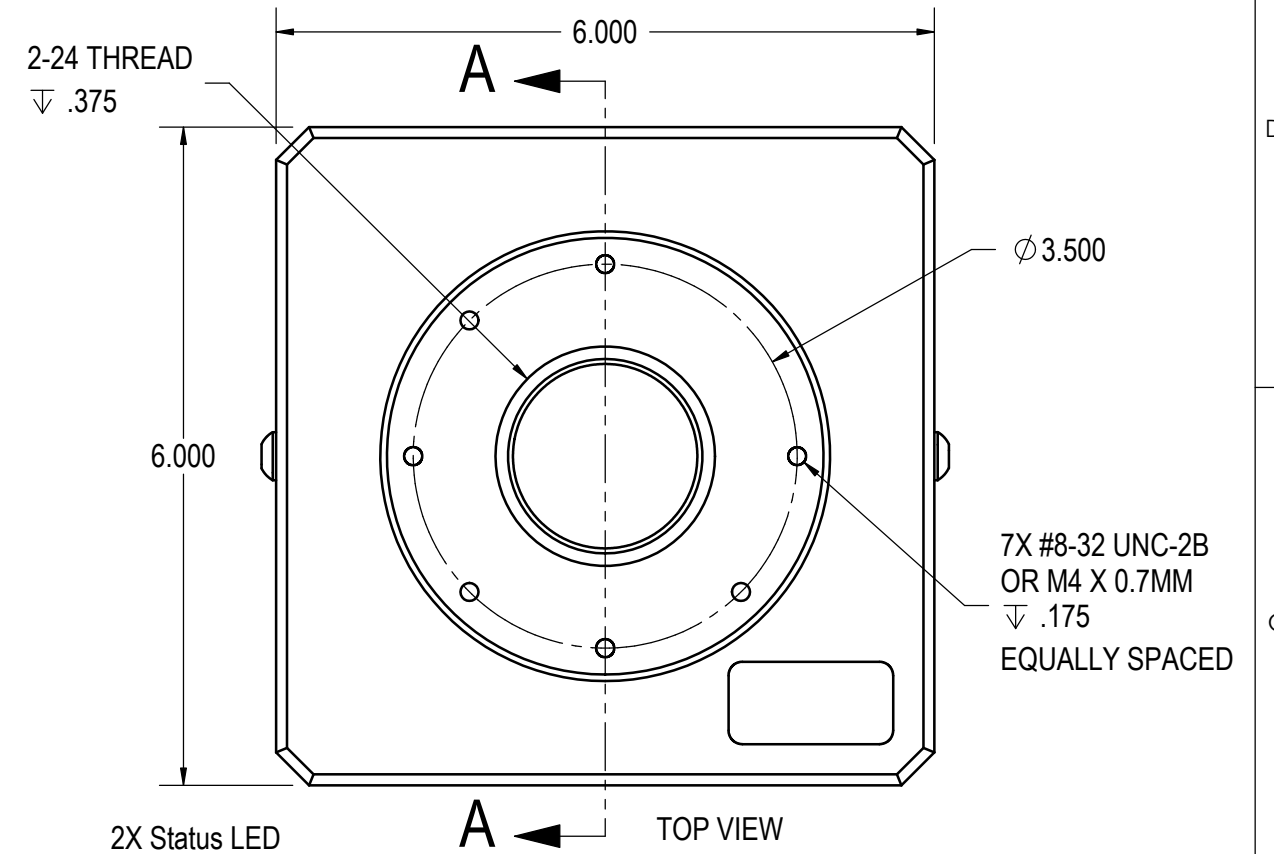
REVISIONS			
REV.	DESCRIPTION	DATE	APPROVED
A	INITIAL PRODUCTION RELEASE	101705	RM



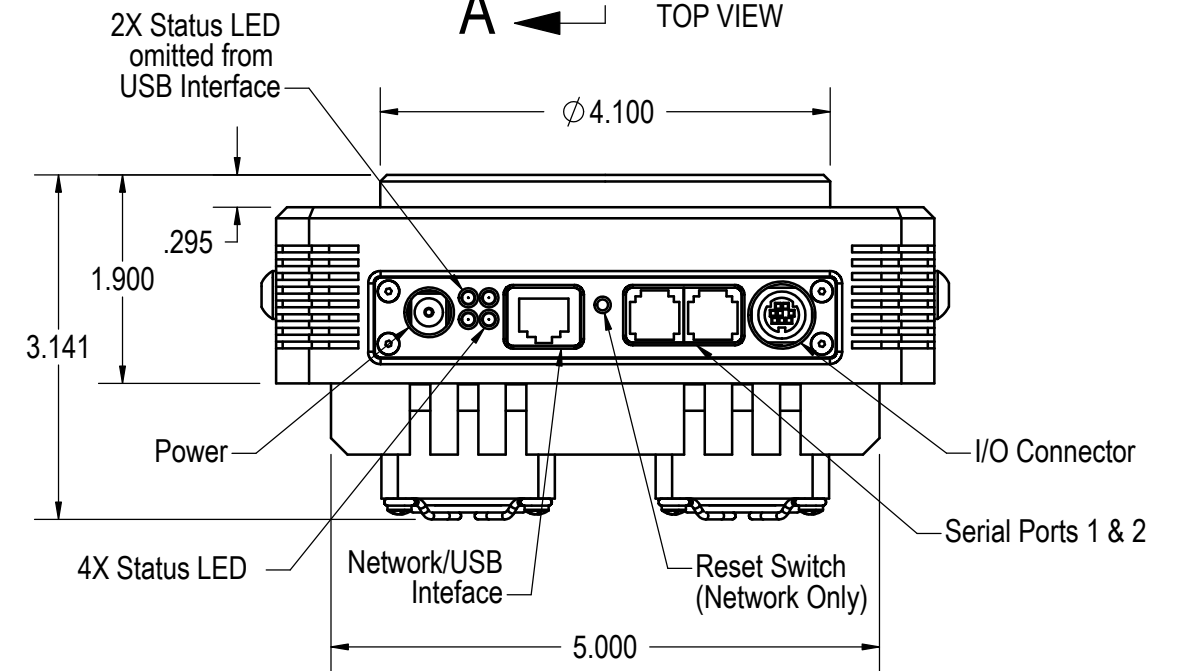
SECTION A-A
SCALE 1:1

	CAMERA MODEL	CCD	DIMENSION		
			A	B	C
STANDARD	U4 / E4	KAF-4202	1.045	0.574	0.311
STANDARD	U6 / E6	KAF-1001E	1.045	0.574	0.311
STANDARD	U9 / E9	KAF-6303E	1.046	0.575	0.312
STANDARD	U10 / E10	TH7899	1.045	0.574	0.311
STANDARD	U13 / E13	KAF-1301E	1.045	0.574	0.311
STANDARD	U30 / E30	CCD30-11	1.045	0.574	0.311
STANDARD	U42 / E42	CCD42-40	1.045	0.574	0.311
STANDARD	U47 / E47	CCD47-10	1.044	0.573	0.310
OPTIONAL	U4720 / E4720	CCD47-20	1.044	0.573	0.310
STANDARD	U55 / E55	CCD55-20	1.045	0.574	0.311
STANDARD	U77 / E77	CCD77 - 00	1.044	0.573	0.310
OPTIONAL	U4000 / E4000	KAI-4020M	1.045	0.574	0.311

WHERE:
 A = IMAGE PLANE TO MOUNTING PLANE
 B = IMAGE PLANE TO SHUTTER
 C = AIR GAP



TOP VIEW



FRONT VIEW

UNLESS OTHERWISE SPECIFIED DIMENSIONS ARE IN INCHES TOLERANCES ARE: FRACTIONS DECIMALS ANGLES ± .XX ± .01 ± 1° .XXX ± .005	CAD GENERATED DRAWING, DO NOT MANUALLY UPDATE		
	THIRD ANGLE PROJECTION		
MATERIAL	2	NAME	DATE
FINISH	3	DRAWN	GR 101205
DO NOT SCALE DRAWING		CHECKED	RM 101705
		ENG	RM 101705
		MFG	
		QA	
SCALE 1:1.75		RELEASE DATE	
SPECIFICATION, MECHANICAL, ALTA		SIZE B	DWG. NO. D2MG432-XX
		REV. A	SHEET 1 OF 1